



AIRCLEANER / L

AIRCLEANER USER MANUAL

Contents

Introduction.....3

Safety3

Technical Specifications4

Operation5

Transportation and Storage5

Device Parts.....6

Cleaning and Maintenance.....7

Commissioning8

Frequently Asked Questions9

Warranty10



Introduction

Thank you for purchasing the Cvsair Aircleaner. The product you have purchased is designed to serve you for a long time and without any problems. You may have used similar products before, but please take the time to read the manual. This manual is designed to get the best out of the product you have purchased. Safety is important. For future use, keep this manual in a suitable place.

Operational Conditions

The product is very simply designed to perform its basic task. As soon as it is operated, it sterilizes the indoor air through the filters it contains and sends it to the environment.



Safety is Important

For your own safety and the safety of others, please read the user manual before operating the product. Keep this manual in a safe place for future use. If you give your device to someone, also give them the user manual. Remove all packaging but keep the packaging until you are sure that your device is working. This device is not suitable for people of unsound mind or for people who do not have enough knowledge to use such devices. Never allow such people to use the device.

Safety Information

This manual explains safety information to be considered before, during and after use.

- The device is designed to work with 230V AC 50Hz voltage. Operating the device with a different voltage may damage the device and involve a risk of electric shock.
- To avoid the risk of an electric shock, do not remove the electrical parts of the device. Do not try to repair the device. If you have a problem with the device, contact Cvsair.
- Do not use the device in environments containing flammable and volatile substances.
- Do not use it in environments exposed to direct sunlight and near hot objects. If the device gets too hot, there is a risk of deformation in the form of a device, and if it gets too hotter, there is a risk of fire. Turn off the device if the air temperature rises above 40°C.
- Do not allow foreign objects to enter the device. There is a risk of electric shock due to the high voltage during the operation of the device.
Do not let children touch and play with the device.
- Do not place the device in a bathroom or where the device may contact with water.
- Do not cover the device. If the air inlets and outlets of the device are closed, the device may not work properly.
- Due to electric shock, fire, and other safety reasons, always unplug the device in the following cases.
 - If you will not temporarily use the device for a long time,
 - When cleaning, maintaining the device or replacing its filter,
 - When you will carry the device,

Technical Specifications

AIRCLEANER L

The device is designed for use in areas of 200-300 m². It is also suitable for use in smaller areas.

By plugging the product in a grounded socket, you can operate the product with the on-off button. When you start hearing fan noise, it means the product is working. You will see that fresh air is released to the environment from the perforated parts at the bottom.

To start operating, plug the product in a grounded socket and press the product's start button. When the fan of the device starts to operate, the contaminated air in the environment is drawn into the device from the upper grilles.

MODEL	AIRCLEANER-L
Dimensions	575*485*1300 mm
Power	360 Watt
Impact Area	300 m ²
Voltage/Frequency	230V / 50Hz
PM 2,5(%)	99,90%
Air Flow	900 m ³ /h
Weight	110 Kgs
Device Body	Electrostatic High Temp Painted

TECHNICAL SPECIFICATIONS

Operation

It can be used for sterilization of areas of 200-300 m² such as home, office, bank, restaurant, hospital lobbies, hotel lobbies, meeting rooms.

For maximum efficiency, it is recommended to put the device on walls close to the middle of the rooms and keep it 10-15 cm away from the wall instead of the corner points in the space.

Transportation-Storage

Our product, which can be easily transported with platform wheelbarrows, should be kept with its packaging until the moment of use and if the packaging is damaged at the moment of receipt, the damage must be reported together with the transport company.

If the place of use of the product should change, carry the device again using platform wheelbarrows, never move the device by pulling with its power cable.

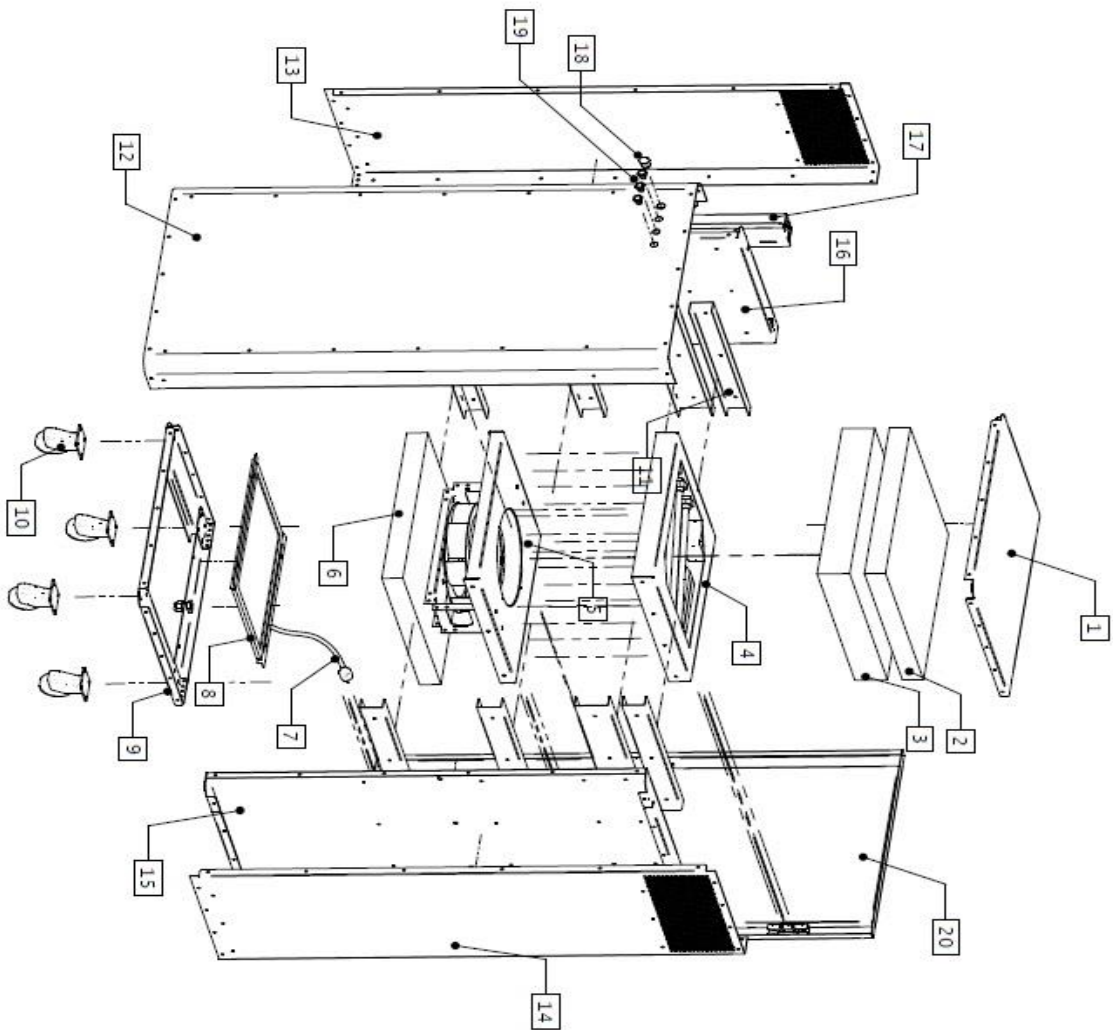
The product should be kept in closed areas. Air cleaners should be kept without damaging their packaging, and by protecting from dirt and moisture.

It should be stored in an environment free from corrosive effects under suitable weather and environmental conditions.

For devices that are stored without packaging for a very long time, the first operation should be done by removing the filters for 5 minutes. Then the filters should be reinstalled, and they are continued to be used. All fans have been tested before leaving the factory. General check should be made when the product is received.



AIRCLEANER / L



NUMBER	NAME OF PART	QUANTITY
1	CASING TOP SHEET	1
2	G4 FILTER	1
3	HEPA FILTER	1
4	UV LAMP CELL	1
5	COMPLETE FAN CELL	1
6	CARBON FILTER	1
7	DEVICE FEEDER CABLE	1
8	SCREEN FILTER	1
9	CASING BOTTOM SHEET	1
10	WHEEL	4
11	FILTER SKID	8
12	FRONT PANEL SHEET	1
13	LEFT SIDE PANEL SHEET	1
14	RIGHT SIDE PANEL SHEET	1
15	RIGHT SIDE PANEL INNER SHEET	1
16	LEFT SIDE PANEL INNER SHEET	1
17	CABLE DUCT SHEET	1
18	ON / OFF SWITCH	1
19	DEVICE WARNING LIGHTS	3
20	COMPLETE PANEL COVER	1

DEVICE PARTS



Cleaning and Maintenance

For the device to perform its task, it should be regularly maintained. It should be noted that devices that are not maintained periodically will be out of warranty. Turn off the device and unplug it before cleaning and maintenance. Device parts that need maintenance or replacement are as follows.

Device Removal and Maintenance

1. Thanks to the service cover located on the rear of the device, it is possible to access all filters to be interfered during the maintenance of the device.
2. You can remove the **G4 dust collector filters (filter number 2)** on the device by pulling them towards you after the service cover is opened. Depending on the frequency of use, the G4 dust collector filter should be cleaned at least once a month. It is possible to clean the filter by washing it in purified environments, but the filter should never be put into the device before it dries completely. If cleaning with water is not possible or if there is not enough time or opportunity to dry the filter, the filter is needed to be cleaned of the accumulated dust by cleaning it with a soft brush without pressing it.
3. For removing Carbon Filters (filter number 6), after opening the service cover on the device, you can pull it towards you by holding the metal plate with the skid and remove the whole set at once. These filters clean the ambient air of stench by keeping them inside thanks to the active carbons in its content. It is not possible to clean these filters. It should be replaced once a year depending on the frequency of use.

It is understood that it needs to be replaced when the device cannot fulfil its stench prevention function when it loses its active carbon feature.

4. For removing the **H14 HEPA FILTERS (filter number 3)**, after opening the service cover on the device, you can pull the filter towards you and remove it. H14 filters are ones that provide high efficiency filtering against bacteria and viruses in the air. It is not possible to clean them. When its life is expired, it needs to be replaced. Hepa filters should be replaced at least once a year depending on the frequency of use. It is recommended to replace them once 6 months.
When replacing the HEPA filter, make sure that the filter is placed correctly. You can understand that the filter is placed upside down when you smell stench from the device when you operate the device. In this case, turn off the device and unplug it. Then change the direction of the HEPA filter by removing the filters.
5. The device has a **UVC lamp cell (number 4)**. After opening the service cover, remove the electrical connection of the lamps. you can remove the whole series by holding it with its skid and pulling it towards you. These UVC lamps kill invisible microorganisms. To increase the efficiency of the lamps, it is necessary to wipe slowly and precisely every 2-3 months with an alcohol wipe.

6. The device fan is driven by an electric motor. This fan and motor are long-lasting products and do not require maintenance in standard uses during the warranty period. At the end of the warranty period, in cases where the bearing life is expired, the bearing is to be replaced. You can understand the need for bearing replacement when the fan of the device operates with an extra mechanical noise. In cases where filters of the device are not maintained, the life of the device fan may change. You can get support from CVSAIR authorized services for all interventions to fan and motor.



Front panel cleaning

It can be wiped with a damp cloth. Use a soft cloth when cleaning to prevent the panel from scratching and removing paint. Cleaning with hot water or abrasive substances will damage the device.

After Cleaning, Drying

After cleaning, dry the device completely before using it. Otherwise, it may cause an electric shock, or the device may break down.

Responsibility

Cvsair Havalandırma Sistemleri A.Ş. does not accept responsibility in case of any damage that may occur because of use not in compliance with the instructions in this user manual. Cvsair Havalandırma Sistemleri A.Ş. do not accept responsibility in case the device is used in a place other than its own area, or it is repaired in services other than Cvsair authorized services.

Unauthorized use

In the unauthorized use cases specified below, the device may be damaged or cause injury; this device is not suitable for people of unsound mind or for people who do not have enough knowledge to use such devices. Never allow such people to use the device.

The device is not a toy. Therefore, do not let children use this device and be more careful when using the device with children.

Keep the items such as bags and cardboard out of the package away from children. Otherwise, children can harm themselves by swallowing them!



The device is not suitable for use by children under 8 years old.

If the device is used by unauthorized people, it will be out of warranty.

Usage Area

AIRCLEANER L model that appeals to larger and crowded areas in terms of usage area, is suitable for use in areas such as offices, banks, subways, hospitals, nursing houses, libraries, hotels-lobbies etc..

Recycling

If the useful life of the device is expired, cut the power cord so that it cannot be used. In accordance with the laws applicable in your country, leave the device in trash cans specifically designed for such devices. Electrical waste should not be disposed of with normal waste.

The packaging elements of the device are made of recyclable materials. Throw them in recycle trash cans.



For service contact

servis@cvsair.com.tr

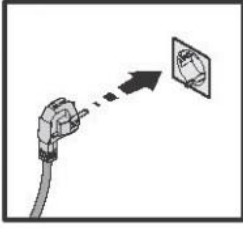
Tel: +90 216 417 12 48



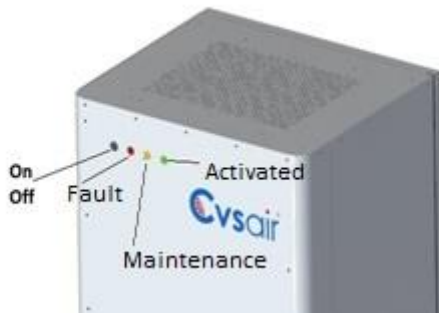
Shipment

The device must be shipped in its original packaging or in a good and soft package to prevent damage.

Commissioning



After the device is placed in a suitable location, the device must be plugged into a grounded socket for power. Before plugging in the device, make sure that the switch is in the OFF position.



It will be activated when you press the On button of the device.

The green “Activated” lamp will light up when the device is operating.

If the product breaks down, the red “Fault” light on the top will be on.

When the cover of the product is opened, it will stop running and the yellow “Maintenance” lamp will light up.

To turn off the product completely, turn the switch to Off position unplug it.



Frequently Asked Questions

Filter

It is very difficult to get rid of dust and stench for the filter.

- Is the filter placed upside down?
- The filter has collected a lot of dust on it. Replace the filter.

The device does not work

Although I have turned on the device, the device does not work.

- The plug may be loose or unplugged. Check the plug.
- After cleaning, was the device properly reinstalled?

Responsibility

Cvsair Havalandırma Sistemleri A.Ş. does not accept responsibility in case of any damage that may occur because of use not in compliance with the instructions in this user manual. Cvsair Havalandırma Sistemleri A.Ş. do not accept responsibility in case the device is used in a place other than its own area, or it is repaired in services other than Cvsair authorized services.

Unauthorized Use

In the unauthorized use cases specified below, the device may be damaged or cause injury; this device is not suitable for people of unsound mind or for people who do not have enough knowledge to use such devices. Never allow such people to use the device.

The device is not a toy. Therefore, do not let children use this device and be more careful when using the device with children.

Keep the items such as bags and cardboard out of the package away from children. Otherwise, children can harm themselves by swallowing them!

WARRANTY

Manufacturer's

Title :

Address :

Telephone :

Fax :

E-mail :

Authorized Signature :

Seal of Firm :

The Device's

Type : Warranty Period :

Brand : Maximum Repair Time :

Model : Banderol and Serial No. :

Warranty Conditions

- 1) The warranty period starts from the date of invoice and is for 2 years.
- 2) The whole product, including all parts, are under warranty.
- 3) The repair time of the product cannot exceed 20 business days.
- 4) Faults resulting from the use of the product contrary to the points in the user manual are not covered by the warranty.
- 5) The consumer may apply to the Consumer Arbitration Committee or the Consumer Court in the place where s/he lives or where the consumer's transaction is performed, in case of disputes that may arise regarding the use of the rights arising from the warranty.
- 6) If this Warranty Certificate is not provided by the seller, the consumer may apply to the Ministry of Customs and Trade, General Directorate of Consumer Protection and Market Surveillance.

servis@cvsair.com.tr

www.cvsair.com.tr