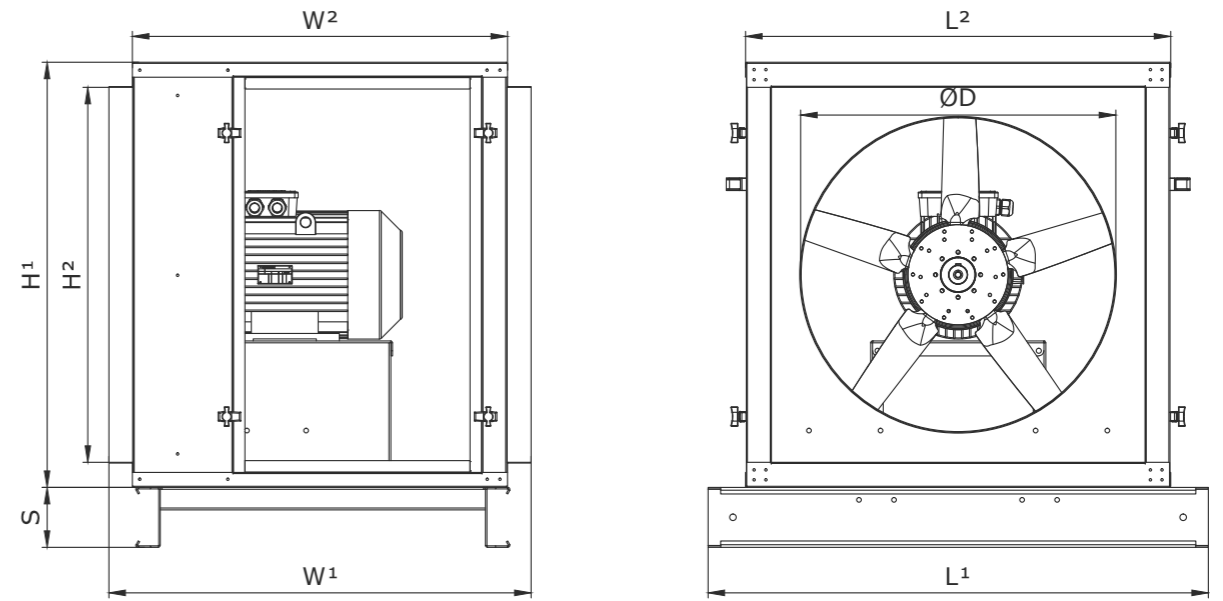


**CABINET
AXIAL
FANS** ENERGY
EFFICIENT
LONG LIFE



DIMENSIONS

MODEL	ØD	H1	H2	W1	W2	L1	L2	S
CVS-H-Ø400	Ø400	700	600	594	500	850	700	120
CVS-H-Ø450	Ø450	700	600	594	500	850	700	120
CVS-H-Ø500	Ø500	750	650	744	650	900	750	120
CVS-H-Ø560	Ø560	750	650	744	650	900	750	120
CVS-H-Ø630	Ø630	850	750	844	750	1000	850	120
CVS-H-Ø710	Ø710	1000	900	994	800	1100	1000	120
CVS-H-Ø800	Ø800	1000	900	994	800	1100	1000	120
CVS-H-Ø900	Ø900	1200	1100	894	800	1300	1200	120
CVS-H-Ø1000	Ø1000	1200	1100	894	800	1300	1200	120
CVS-H-Ø1120	Ø1120	1500	1300	894	800	1650	1500	120
CVS-H-Ø1250	Ø1250	1500	1300	894	800	1650	1500	120

PRODUCT FEATURES

- Galvaniz sac üzeri elektrostatik fırın boyalı gövde Galvanised sheet metal with electrostatic oven drying case
- En yüksek verim için ayarlanabilir kanat açısı Adjustable blade angles for maximum efficiency
- Frekans invertörü ile çalışmaya uygun trifaze motorlar (F300) Three-phased motors suitable to operate with frequency inverters (F300)
- Çift devirli motor seçeneği Double speed motor option
- EN 12101-3 standardına uygun, sertifikalı Certificated according to EN 12101-3
- 60 Hz seçeneği mevcuttur 60 Hz option is available



TECHNICS

MODEL	CVS-H-0400-0,55/2P	CVS-H-0400-0,75/2P	CVS-H-0400-1,1/2P	CVS-H-0400-1,5/2P	CVS-H-0400-2,2/2P
VOLTAGE (V)	400	400	400	400	400
FREQUENCY (Hz)	50	50	50	50	50
POWER (kW)	0,55	0,75	1,1	1,5	2,2
CURRENT (A)	1,27	1,9	2,55	3,45	4,94
SPEED (rpm)	2780	2800	2800	2835	2840
AIR FLOW (m³/h)	6000	7000	8000	9000	10500
SOUND PL (dB) 3m	63	64	64	66	68
WIRING DIAGRAM	Y	Y	Y	Y	Y

MODEL	CVS-H-0450-1,1/2P	CVS-H-0450-1,5/2P	CVS-H-0450-2,2/2P	CVS-H-0450-3/2P
VOLTAGE (V)	400	400	400	400
FREQUENCY (Hz)	50	50	50	50
POWER (kW)	1,1	1,5	2,2	3
CURRENT (A)	2,55	3,45	4,94	6,5
SPEED (rpm)	2800	2835	2840	2850
AIR FLOW (m³/h)	9500	11500	12500	14250
SOUND PL (dB) 3m	62	66	67	69
WIRING DIAGRAM	Y	Y	Y	Y

TECHNICS

MODEL	CVS-H-0500-1,5/2P	CVS-H-0500-2,2/2P	CVS-H-0500-3/2P	CVS-H-0500-4/2P	CVS-H-0500-5,5/2P
VOLTAGE (V)	400	400	400	400	400
FREQUENCY (Hz)	50	50	50	50	50
POWER (kW)	1,5	2,2	3	4	5,5
CURRENT (A)	3,45	4,94	6,5	8,2	11,3
SPEED (rpm)	2835	2840	2850	2850	2870
AIR FLOW (m³/h)	11000	13000	15500	17000	20000
SOUND PL (dB) 3m	63	66	69	71	73
WIRING DIAGRAM	Y	Y	Y	Y	D or Y-D

MODEL	CVS-H-0560-2,2/2P	CVS-H-0560-3/2P	CVS-H-0560-4/2P	CVS-H-0560-5,5/2P	CVS-H-0560-7,5/2P
VOLTAGE (V)	400	400	400	400	400
FREQUENCY (Hz)	50	50	50	50	50
POWER (kW)	2,2	3	4	5,5	7,5
CURRENT (A)	4,94	6,5	8,2	11,3	15,4
SPEED (rpm)	2840	2850	2850	2870	2890
AIR FLOW (m³/h)	14000	17000	20500	23000	26500
SOUND PL (dB) 3m	65	68	71	73	75
WIRING DIAGRAM	Y	Y	Y	D or Y-D	D or Y-D



TECHNICS

MODEL	CVS-H-0630-5,5/2P	CVS-H-0630-7,5/2P	CVS-H-0630-11/2P	CVS-H-0630-15/2P	CVS-H-0630-18,5/2P
VOLTAGE (V)	400	400	400	400	400
FREQUENCY (Hz)	50	50	50	50	50
POWER (kW)	5,5	7,5	11	15	18,5
CURRENT (A)	11,3	15,4	22,4	28,5	35
SPEED (rpm)	2870	2890	2935	2940	2940
AIR FLOW (m³/h)	25500	30000	27500	31000	34250
SOUND PL (dB) 3m	72	76	77	83	85
WIRING DIAGRAM	D or Y-D	D or Y-D	D or Y-D	D or Y-D	D or Y-D

MODEL	CVS-H-0710-1,5/4P	CVS-H-0710-2,2/4P	CVS-H-0710-3/4P	CVS-H-0710-4/4P	CVS-H-0710-5,5/4P
VOLTAGE (V)	400	400	400	400	400
FREQUENCY (Hz)	50	50	50	50	50
POWER (kW)	1,5	2,2	3	4	5,5
CURRENT (A)	3,6	5,2	6,8	8,6	11,8
SPEED (rpm)	1385	1400	1410	1425	1430
AIR FLOW (m³/h)	19000	23000	25000	28000	30000
SOUND PL (dB) 3m	65	67	69	71	71
WIRING DIAGRAM	Y	Y	Y	Y	D or Y-D

TECHNICS

MODEL	CVS-H-0800-2,2/4P	CVS-H-0800-3/4P	CVS-H-0800-4/4P	CVS-H-0800-5,5/4P	CVS-H-0800-7,5/4P
VOLTAGE (V)	400	400	400	400	400
FREQUENCY (Hz)	50	50	50	50	50
POWER (kW)	2,2	3	4	5,5	7,5
CURRENT (A)	5,2	6,8	8,6	11,8	15,8
SPEED (rpm)	1400	1410	1425	1430	1430
AIR FLOW (m³/h)	26000	30500	34000	38000	40000
SOUND PL (dB) 3m	67	69	71	73	73
WIRING DIAGRAM	Y	Y	Y	D or Y-D	D or Y-D

MODEL	CVS-H-0900-4/4P	CVS-H-0900-5,5/4P	CVS-H-0900-7,5/4P	CVS-H-0900-11/4P	CVS-H-0900-15/4P
VOLTAGE (V)	400	400	400	400	400
FREQUENCY (Hz)	50	50	50	50	50
POWER (kW)	4	5,5	7,5	11	15
CURRENT (A)	8,6	11,8	15,8	22,6	30,5
SPEED (rpm)	1425	1430	1430	1455	1460
AIR FLOW (m³/h)	40000	44000	47500	52500	55000
SOUND PL (dB) 3m	70	71	73	76	76
WIRING DIAGRAM	Y	D or Y-D	D or Y-D	D or Y-D	D or Y-D



TECHNICS

MODEL	CVS-H-Ø1000-7,5/4P	CVS-H-Ø1000-11/4P	CVS-8-Ø1000-15/4P	CVS-H-Ø1000-18,5/4P	CVS-H-Ø1000-22/4P
VOLTAGE (V)	400	400	400	400	400
FREQUENCY (Hz)	50	50	50	50	50
POWER (kW)	7,5	11	15	18,5	22
CURRENT (A)	15,8	22,6	30,5	38	44
SPEED (rpm)	1430	1455	1460	1460	1455
AIR FLOW (m³/h)	56000	58000	69500	66000	74000
SOUND PL (dB) 3m	73	74	78	77	79
WIRING DIAGRAM	D or Y-D	D or Y-D	D or Y-D	D or Y-D	D or Y-D

MODEL	CVS-H-Ø1120-15/4P	CVS-H-Ø1120-18,5/4P	CVS-H-Ø1120-22/4P	CVS-H-Ø1120-30/4P	CVS-H-Ø1120-37/4P
VOLTAGE (V)	400	400	400	400	400
FREQUENCY (Hz)	50	50	50	50	50
POWER (kW)	15	18,5	22	30	37
CURRENT (A)	30,5	38	44	57	70
SPEED (rpm)	1460	1460	1455	1460	1465
AIR FLOW (m³/h)	75000	81000	87000	98000	108000
SOUND PL (dB) 3m	76	78	79	81	83
WIRING DIAGRAM	D or Y-D	D or Y-D	D or Y-D	D or Y-D	D or Y-D



TECHNICS

MODEL	CVS-H-Ø1250-18,5/4P	CVS-H-Ø1250-22/4P	CVS-H-Ø1250-30/4P	CVS-H-Ø1250-37/4P	CVS-H-Ø1250-45/4P
VOLTAGE (V)	400	400	400	400	400
FREQUENCY (Hz)	50	50	50	50	50
POWER (kW)	18,5	22	30	37	45
CURRENT (A)	38	44	57	70	84
SPEED (rpm)	1460	1455	1460	1465	1465
AIR FLOW (m³/h)	86000	93000	106000	122000	128000
SOUND PL (dB) 3m	74	79	79	82	82
WIRING DIAGRAM	D or Y-D	D or Y-D	D or Y-D	D or Y-D	D or Y-D



PERFORMANCES

MODEL	AIRFLOW (m³/h)						
	0 Pa	150 Pa	300 Pa	450 Pa	600 Pa	750 Pa	900 Pa
CVS-H-Ø400-0,55/2P	6000	5250	4000				
CVS-H-Ø400-0,75/2P	7000	6200	4900	2500			
CVS-H-Ø400-1,1/2P	8000	7300	5800				
CVS-H-Ø400-1,5/2P	9000	7800	6400				
CVS-H-Ø400-2,2/2P	10500	9300	7700				
CVS-H-Ø450-1,1/2P	9500	8500	6750				
CVS-H-Ø450-1,5/2P	11500	10200	8600	5600			
CVS-H-Ø450-2,2/2P	12500	11300	9600	7000			
CVS-H-Ø450-3/2P	14250	12700	10800				
CVS-H-Ø500-1,5/2P	11000	10500	8100	6100			
CVS-H-Ø500-2,2/2P	13000	12000	10200	8200			
CVS-H-Ø500-3/2P	15500	14200	12500	10600	6800		
CVS-H-Ø500-4/2P	17000	14900	14000	12000	8300		
CVS-H-Ø500-5,5/2P	20000	18200	16000	12800	10200		
CVS-H-Ø560-2,2/2P	14000	12600	10700	8750	5700		
CVS-H-Ø560-3/2P	17000	15600	14000	11800	8900		
CVS-H-Ø560-4/2P	20500	19000	17400	15200	12200		
CVS-H-Ø560-5,5/2P	23000	21400	19400	15300	14600		
CVS-H-Ø560-7,5/2P	26500	24000	22000	19700	17000		

PERFORMANCES

MODEL	AIRFLOW (m³/h)						
	0 Pa	150 Pa	300 Pa	450 Pa	600 Pa	750 Pa	900 Pa
CVS-H-Ø630-5,5/2P	25500	24000	21600	19000	15800		
CVS-H-Ø630-7,5/2P	30000	26000	24400	22800	21200	19400	17500
CVS-H-Ø630-11/2P	29400	27200	24800	22000	184000	13400	
CVS-H-Ø630-15/2P	31000	29400	27700	26000	24000	22000	19800
CVS-H-Ø630-18,5/2P	34250	32600	31000	29000	27000	24400	21700
CVS-H-Ø710-1,5/4P	19000	14800	7800				
CVS-H-Ø710-2,2/4P	23000	17900					
CVS-H-Ø710-3/4P	25000	20200					
CVS-H-Ø710-4/4P	28000	24600	19750				
CVS-H-Ø710-5,5/4P	30000	24000					
CVS-H-Ø800-2,2/4P	26000	20000					
CVS-H-Ø800-3/4P	30500	24500	13000				
CVS-H-Ø800-4/4P	34000	29000	23000				
CVS-H-Ø800-5,5/4P	38000	32300	20000				
CVS-H-Ø800-7,5/4P	40000	35500	30000				
CVS-H-Ø900-4/4P	40000	33000	24500				
CVS-H-Ø900-5,5/4P	44000	38000	30000				
CVS-H-Ø900-7,5/4P	47500	41500	32700				
CVS-H-Ø900-11/4P	52500	48000	42000	30000			
CVS-H-Ø900-15/4P	55000	50000	45500	35500			
CVS-H-Ø1000-7,5/4P	56000	50000	42500	27000			
CVS-H-Ø1000-11/4P	58000	53000	47500	38000			
CVS-H-Ø1000-15/4P	69500	62000	57000	50000			
CVS-H-Ø1000-18,5/4P	66000	64000	59600	50000			
CVS-H-Ø1000-22/4P	74000	67000	60000	48500			
CVS-H-Ø1120-15/4P	75000	69500	63000	55500	44000		
CVS-H-Ø1120-18,5/4P	81000	75500	69000	61500	50000		
CVS-H-Ø1120-22/4P	87000	82300	75000	67000	56000		
CVS-H-Ø1120-30/4P	98000	90000	82500	70000			
CVS-H-Ø1120-37/4P	108000	102000	94000	80000			
CVS-H-Ø1250-18,5/4P	86000	80000	73000	62000	46000		
CVS-H-Ø1250-22/4P	93000	87000	80000	73500	65000		
CVS-H-Ø1250-30/4P	106000	99000	90000	78000	60000		
CVS-H-Ø1250-37/4P	122000	115000	105000	93000	68000		
CVS-H-Ø1250-45/4P	128000	121000	114000	105000	92000		